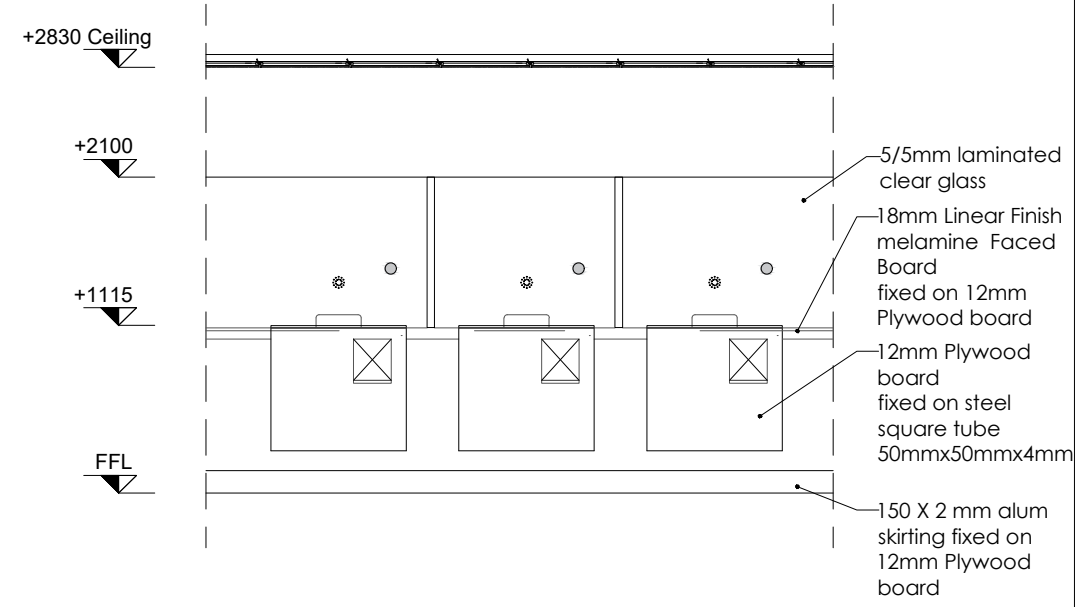
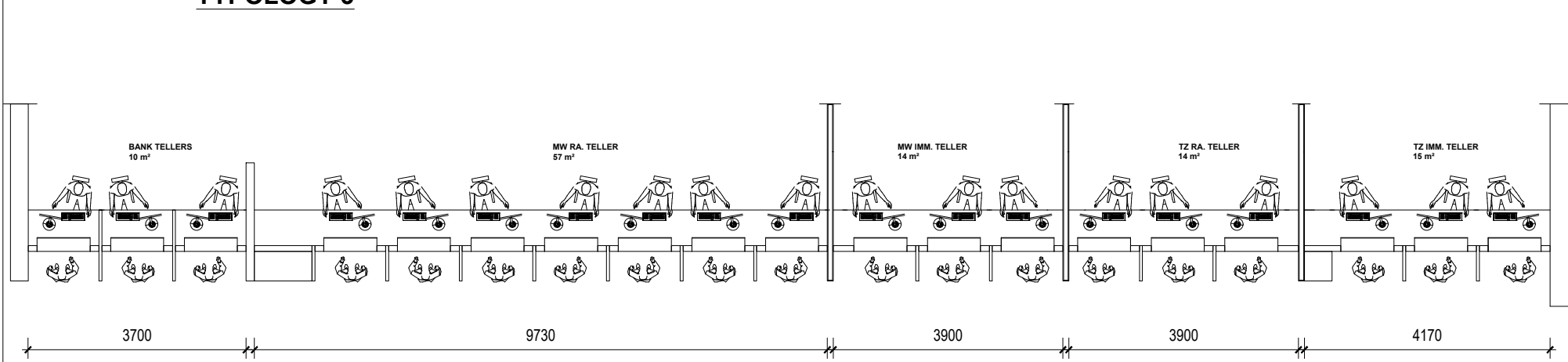
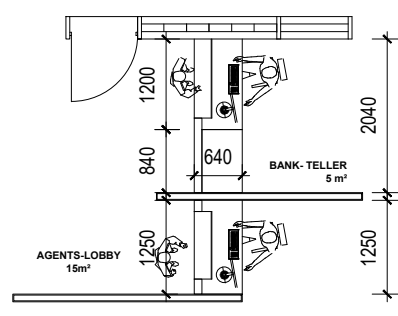
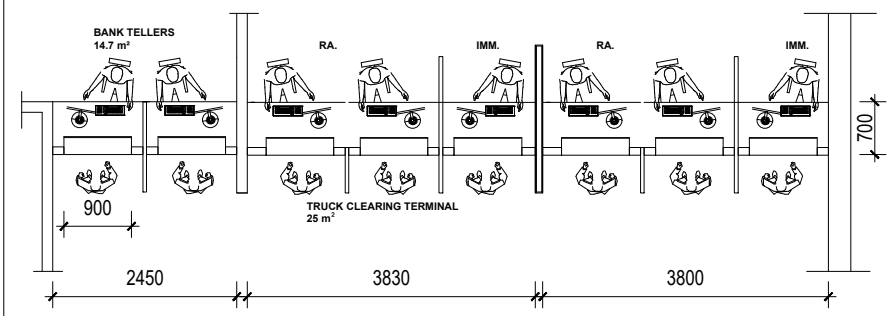


TYOLOGY 3



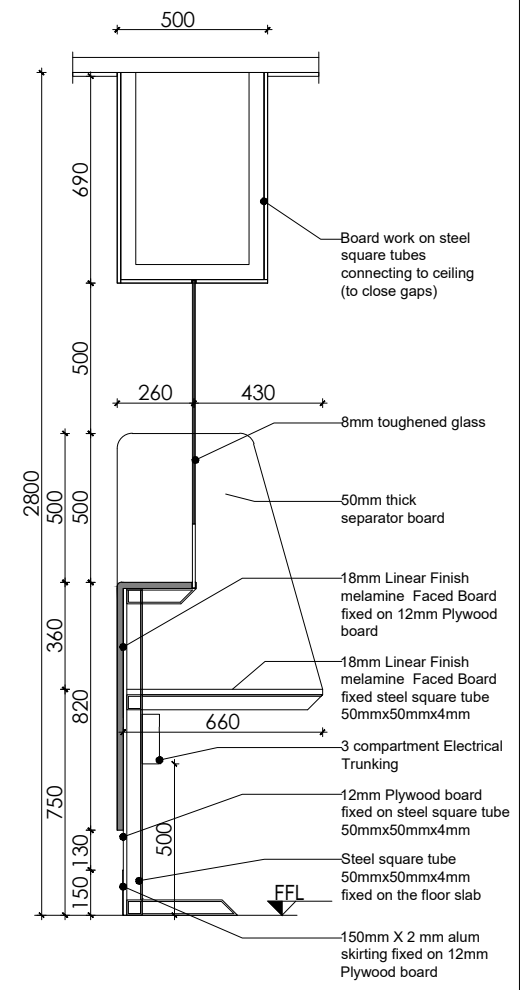
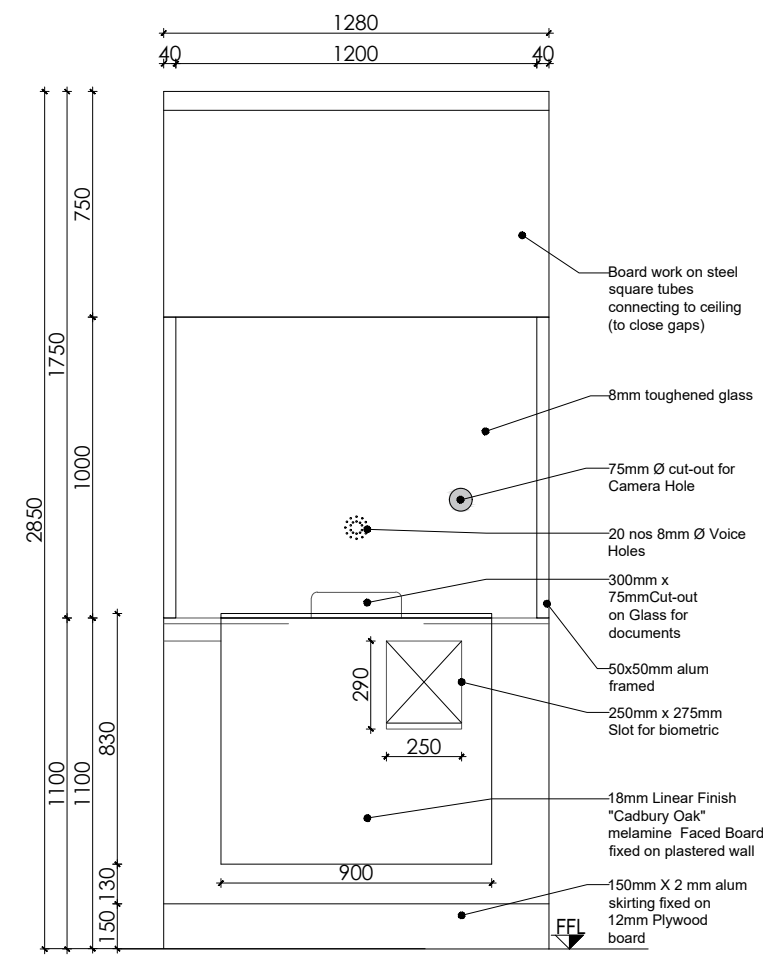
BUILDING 1 - PASSENGER TERMINAL FLOOR PLAN
SCALE 1:100

TYPICAL - ELEVATION
SCALE 1:50



BUILDING 2 - TRUCK CLEARANCE FLOOR PLAN
SCALE 1:100


BUILDING 1 - AGENTS LOBBY FLOOR PLAN
SCALE 1:100



DETAIL - ELEVATION
SCALE 1:20

DETAIL - SECTION
SCALE 1:20

CLIENT :



ACCELERATING MALAWI'S ECONOMIC GROWTH

PROJECT: CONSULTING SERVICES FOR FEASIBILITY STUDY, ENVIRONMENTAL AND SOCIAL IMPACT ASSESSMENT, DETAILED ARCHITECTURAL AND ENGINEERING DESIGN, PREPARATION OF BIDDING DOCUMENTS AND SUPERVISION OF CONSTRUCTION OF ONE STOP BORDER POST (OSBP) AT SONGWE/KASUMULU – MALAWI / TANZANIA BORDER CROSSING

REVISION :

CONSULTANTS :

SAI Consulting Engineers Pvt. Ltd.
An ISO 9001 Certified Company

Block-A "SAI House", Satyam Corporate Square, B/h Rajpath Club, Bodakdev, Ahmedabad - 380059 Gujarat, India
Phone : +91 - 79 - 66142600 / 700, Fax : +91 - 79 - 66142800
Email : mail@saiindia.com

REV.	DATE	DESCRIPTION	SIGN
	14TH JULY 2020		
SCALE : AS SHOWN			

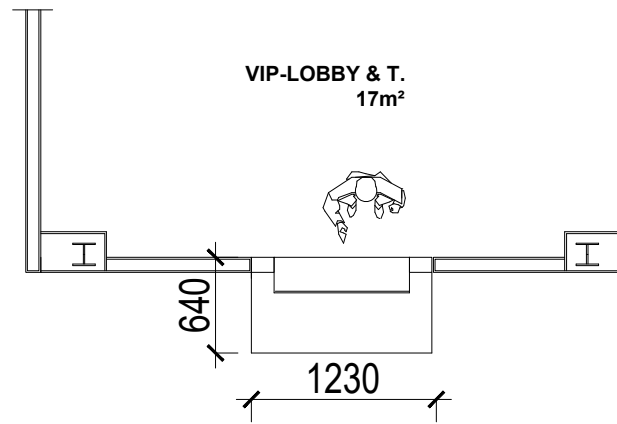
TITLE : DETAIL DESIGN REPORT SONGWE BORDER POST

TELLER FURNITURE DETAILS
TYPOLOGY 3

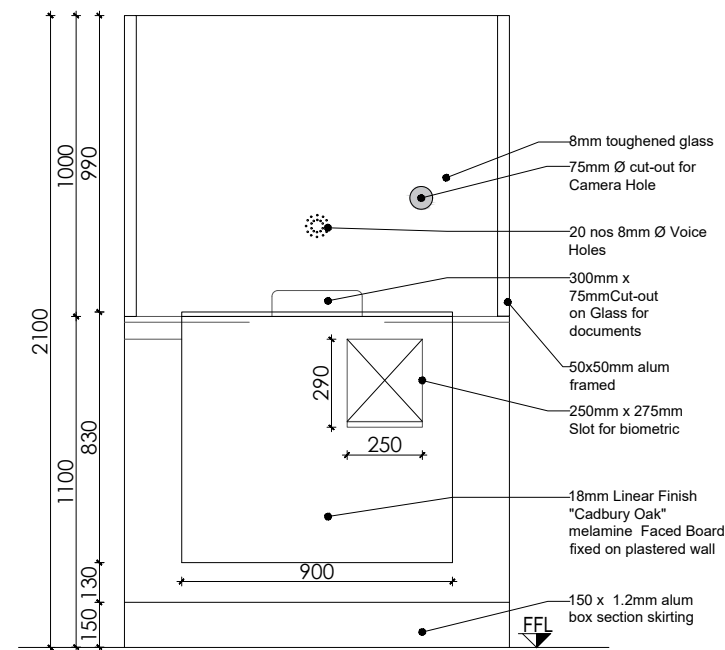
DRG. NO. : ARCH / MSD / 04

REVISION : DRAFT TENDER DOC 001

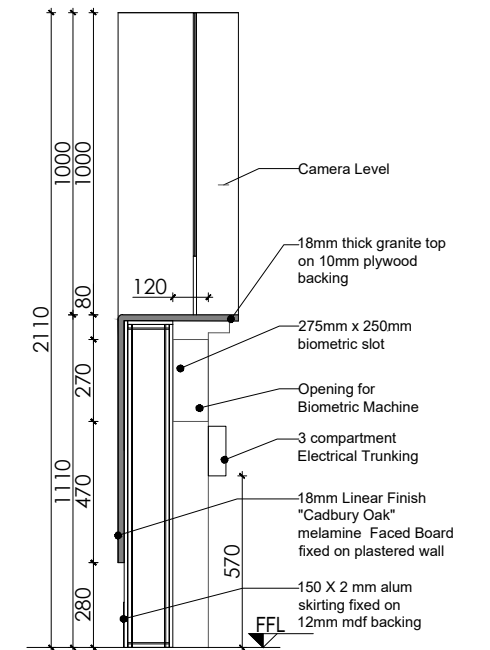
TYOLOGY 1



**BUILDING 1 - VIP LOBBY
FLOOR PLAN
SCALE 1:50**

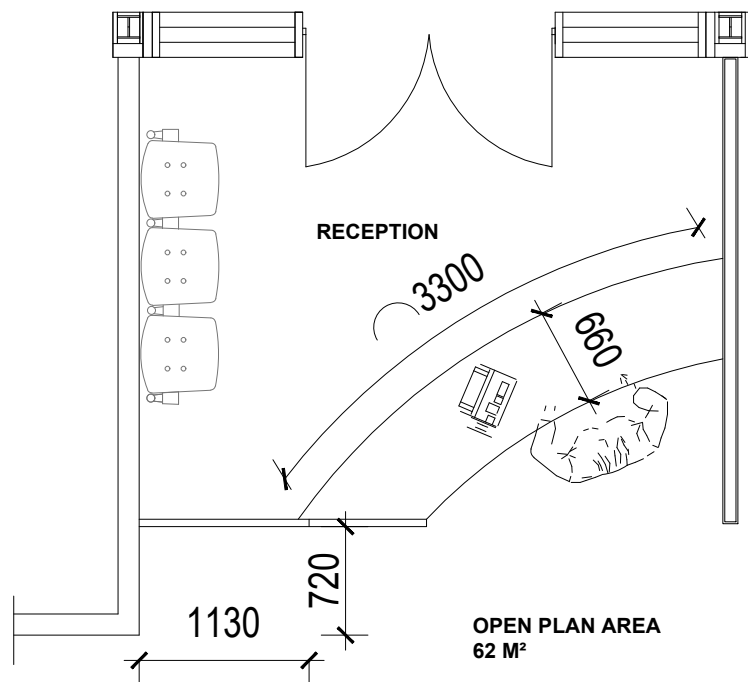


**DETAIL - ELEVATION
SCALE 1:25**

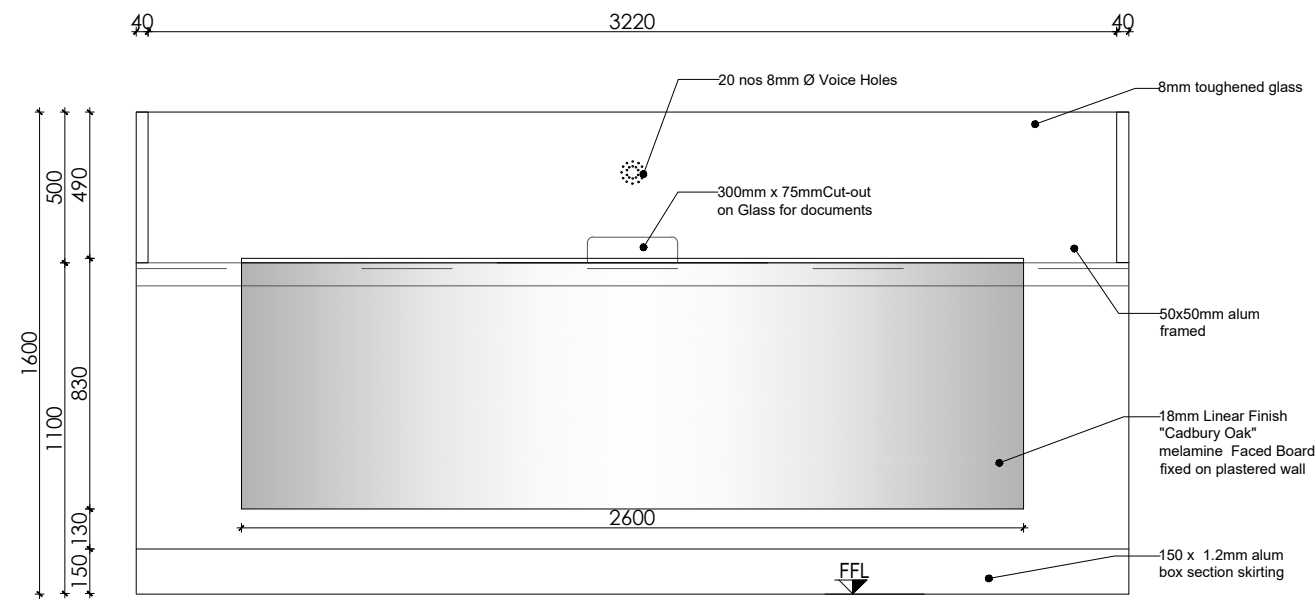


**DETAIL - SECTION
SCALE 1:25**

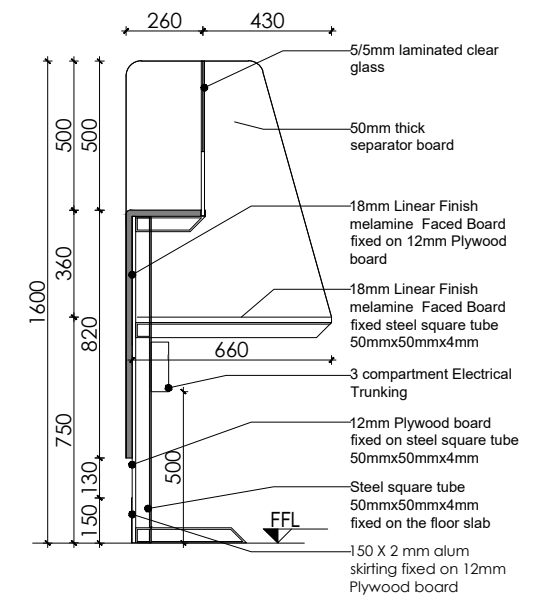
TYOLOGY 2



**BUILDING 2 - POLICE CLEARANCE RECEPTION
FLOOR PLAN
SCALE 1:50**

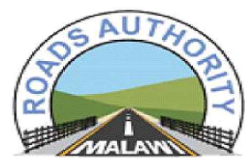


**DETAIL - ELEVATION
SCALE 1:20**



**DETAIL - SECTION
SCALE 1:20**

CLIENT :



ACCELERATING MALAWI'S ECONOMIC GROWTH

PROJECT: CONSULTING SERVICES FOR FEASIBILITY STUDY, ENVIRONMENTAL AND SOCIAL IMPACT ASSESSMENT, DETAILED ARCHITECTURAL AND ENGINEERING DESIGN, PREPARATION OF BIDDING DOCUMENTS AND SUPERVISION OF CONSTRUCTION OF ONE STOP BORDER POST (OSBP) AT SONGWE/KASUMULU – MALAWI / TANZANIA BORDER CROSSING

REVISION :

CONSULTANTS :



SAI Consulting Engineers Pvt. Ltd.

An ISO 9001 Certified Company

Block-A "SAI House", Satyam Corporate Square, B/h Rajpath Club, Bodakdev, Ahmedabad-380059 Gujarat, India
Phone : +91-79-66142600/700, Fax : +91-79-66142800
Email : mail@saiindia.com

REV.	DATE	DESCRIPTION	SIGN
	14TH JULY 2020		

SCALE : AS SHOWN

DRAWN BY : D.NJOLOMA
CHECKED BY : A.PARISOTTO
APPROVED BY : A.PARISOTTO
ISSUED BY : D.NJOLOMA

TITLE : DETAIL DESIGN REPORT
SONGWE BORDER POST

**TELLER FURNITURE DETAILS
TYPOLOGY 1 & 2**

DRG. NO. : ARCH / MSD/ 03

REVISION : DRAFT TENDER DOC 001