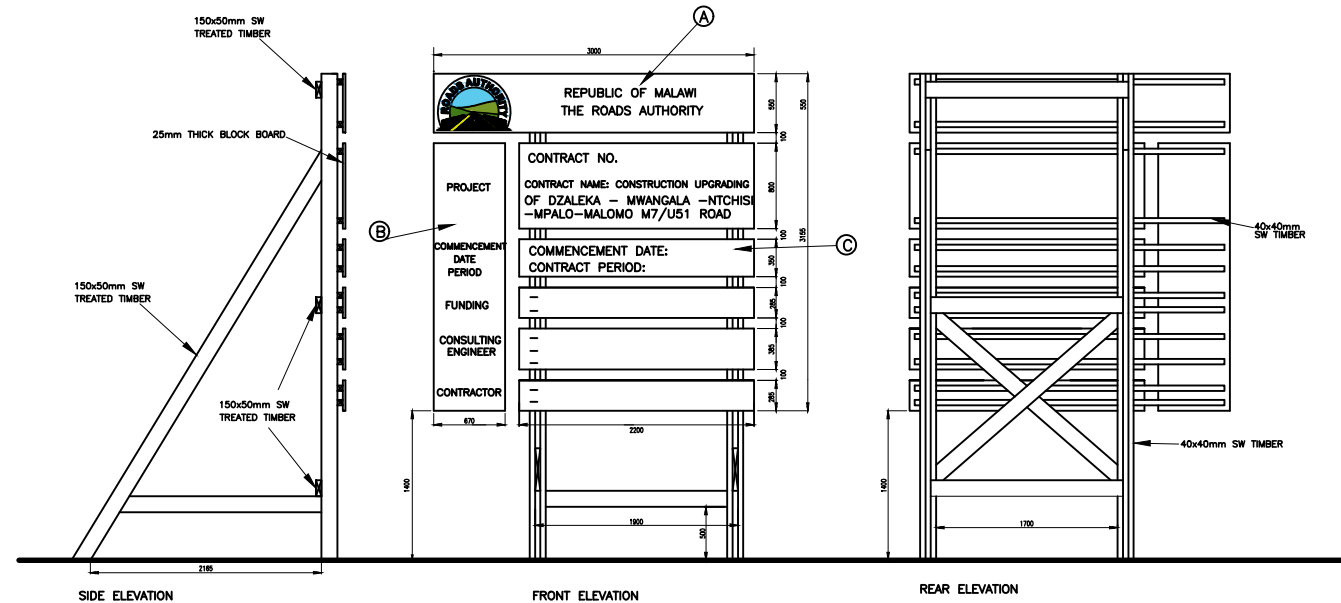


**KERBSTONE TYPE SI DETAIL**  
Scale 1:5

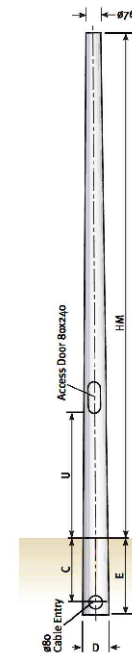


NOTES  
BOARDS A AND B : WHITE OR CREAM LETTERING ON DARK BLUE BACKGROUND  
OTHER BOARDS : DARK BLUE LETTERING ON WHITE OR CREAM BACKGROUND  
TIMBER TO BE TREATED IN ACCORDANCE WITH CLAUSE 1522  
LETTERING SIZES BOARD A BOARD B BOARD C  
125 85 100  
GAPS BETWEEN LINES & EDGES 100 75 75  
THE SIGN BOARD SUPPORT WILL BE FOUNDED AT 750MM BELOW GROUND LEVEL

## STREET LIGHTING DETAIL

DESCRIPTION	HT m	HM m	E m	U m	D mm	C mm
K 18 76 20	2.6	2.0	0.6	0.5	121	400
K 18 76 25	3.1	2.5	0.6	0.5	131	400
K 18 76 30	3.6	3.0	0.6	0.5	135	400
K 18 76 35	4.1	3.5	0.6	0.5	146	400
K 18 76 40	4.6	4.0	0.6	0.5	157	400
K 18 76 45	5.2	4.5	0.7	0.5	168	400
K 18 76 50	5.7	5.0	0.7	1.0	177	400
K 18 76 55	6.3	5.5	0.8	1.0	180	400
K 18 76 60	6.9	6.0	0.9	1.0	184	400
K 18 76 65	7.4	6.5	0.9	1.0	192	400
K 18 76 70	8.0	7.0	1.0	1.0	202	400
K 18 76 75	8.6	7.5	1.1	1.0	210	400
K 18 76 80	9.2	8.0	1.2	1.0	220	500
K 18 76 85	9.8	8.5	1.3	1.0	230	600
K 18 76 90	10.4	9.0	1.4	1.0	230	600
K 18 76 95	11.0	9.5	1.5	1.0	240	700
K 18 76 100	11.6	10.0	1.6	1.0	250	800
K 18 76 115	13.4	11.5	1.9	1.0	320	800
K 18 76 120	14.0	12.0	2.0	1.0	340	1000

NOTE: All measurements are approximate



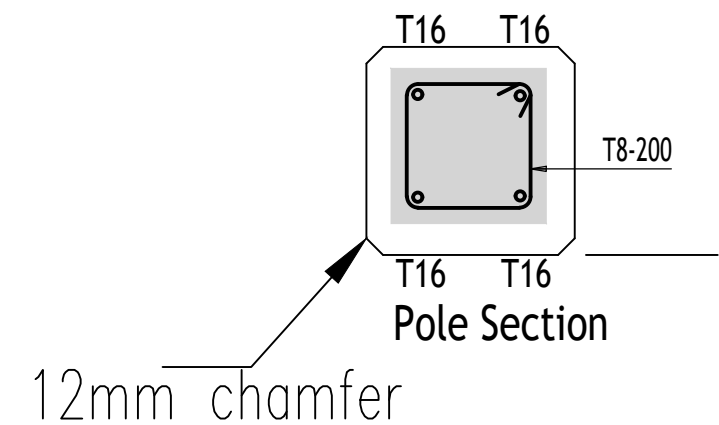
HT	Total length
HM	Mounting height
D	Base diameter
C	Depth of cable entry
U	Access door height
E	Buried depth



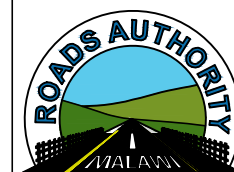
All-in-one-LED-Solar Powered Street Lighting to Specifications

### NOTES;

- Street Lights to be placed at 32m Centres or as advised by the Engineer
- All-in-one-LED-Solar Powered Street Lighting to Specifications
- Glass fibre Reinforced Polyester (GRP) Pole
- D=L=250mm (Rectangular Concrete Pole.
- Concrete Class 25/19



APPROVED BY ROADS AUTHORITY	DRN. CDK	DSND.
	CHKD.	
	APPD.	



REPUBLIC OF MALAWI  
ROADS AUTHORITY  
Private Bag B346  
Lilongwe

CONTRACT NAME:	DRAWING No. RA/STD/001
CONTRACT No.	SCALE: AS SHOWN
DWG. DESCRIPTION PROJECT SIGN BOARD/KERBSTONE DETAIL/ CONCRETE STREET LIGHTING	DATE: JULY 2022